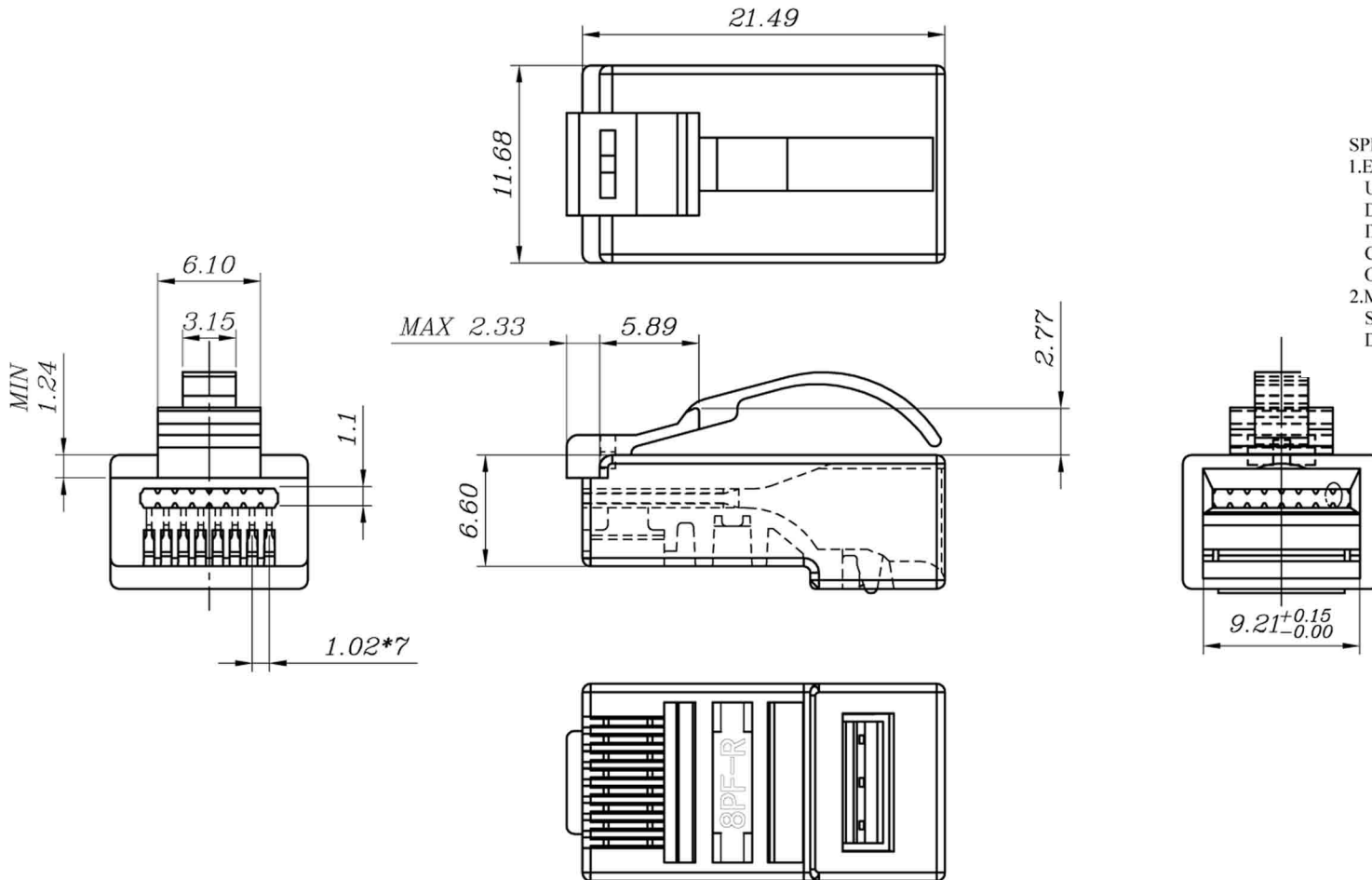


ROHS Compliant

Code: PRLSPDY5



SPECIFICATIONS

1.ELECTRICAL:

UL APPLICATIONS: 250 VOLTS AC MAX. AT 2 AMPS.
DIELECTRIC WITHSTANDING VOLTAGE : 1000 VOLTS AC. 60 SEC.
INSULATION RESISTANCE: 500 MΩ.
CONTACT RESISTANCE: 20mΩ MAX.
OPERATING AMBIENT TEMPERATURE: -20°C ~ 75°C.

2.MECHANICAL:

STRAIN RELIEF: 20POUND MIN.
DURABILITY: 1200 MATING CYCLES.

